

PC Board Layout

NOTES:

ELECTRICAL:

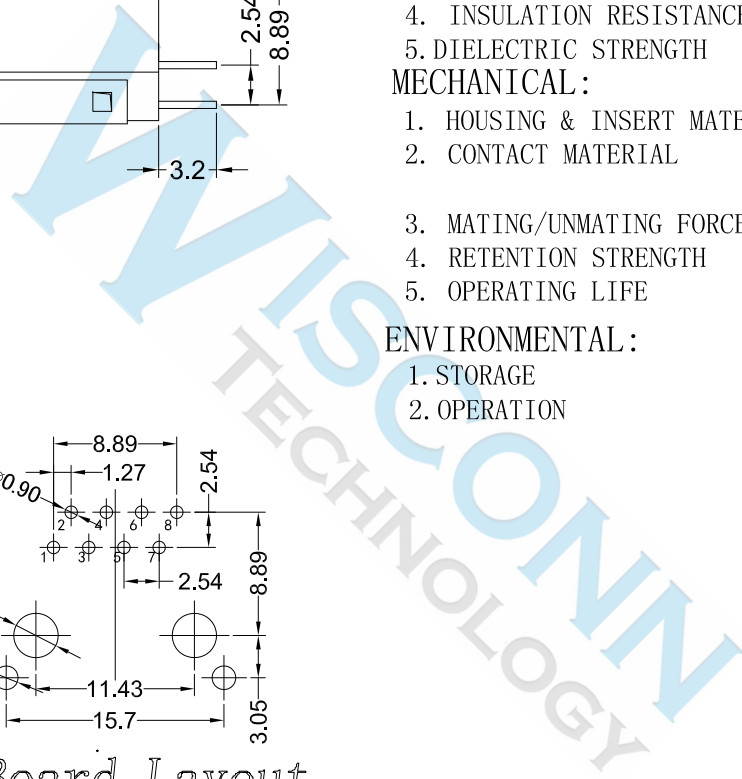
- 1. VOLTAGE RATING : 125 VAC RMS.
- 2. CURRENT RATING : 1.5 AMP.
- 3. CONTACT RESISTANCE : 30 MILLIOHMSMAX
- 4. INSULATION RESISTANCE : 500 MEGOHMS MIN @ 500 NDC.
- 5. DIELECTRIC STRENGTH : 1000 VAC RMS 50Hz or 60Hz, 1MIN.

MECHANICAL:

- 1. HOUSING & INSERT MATERIAL : PBT UL94V-0.
- 2. CONTACT MATERIAL : DIAMETER 0.45MM PHOSPHOR BRONZE GOLD PLATING OVER NICKEL.
- 3. MATING/UNMATING FORCE : 2.2KG. F MAX.
- 4. RETENTION STRENGTH : 7.7KG. F MIN BETWEEN JACK AND PLUG.
- 5. OPERATING LIFE : 750 CYCLES MIN.

ENVIRONMENTAL:

- 1. STORAGE : -40°C ~+85°C REATIVE HUMIDITY<70%
- 2. OPERATION : -40°C ~+85°C



DIMENSIONS TOLERANCE METRIC Up to 5 ±0.2 Above 05~15 ±0.3 Above 15~30 ±0.4 Above 30~50 ±0.5 Angle ±0.3°	UNITS	MM	FINISH	SEE NOTE	CH'K	Calvin	DRAW NAME		WISCONN Technology Co., Ltd Tel:+886-2-2790-1979 Fax:+886-2-2790-1569						
	QTY	N/A	DRAW	Johnson	APP'D	Selena	RJ45 8P8C 1x1PORT 180度 WO/LED&EMI FRONT PEG 3.05 (G/F)								
	MT'L	SEE NOTE	DE'N	Mike	DATE	September . 18 . 2023	PART NUMBER		WRJ5-88-11-FVAAA1						
								DRAW NUMBER		C006					
							FILE NAME .DWG								
							SCALE	1/1	SIZE	A4	SHEET	1	REV.	A	